

BERGER BIOTECHNIK GmbH

Sustainable Systems and Products for on site
Biological Waste Treatment, Ecological
Sanitation and Water Saving

Bogenstraße 17 ° D - 20144 Hamburg
Fon +49(0) 40 - 439 78 75 ° Fax - 43 78 48

www.berger-biotechnik.de ° info@berger-biotechnik.de

Act ecologically:

The GUSTAVSBERG Separation Toilet

The Low Flush Toilet with Urine Separator



- uses only 4 litre water for each flushing and only 2 litre for urine flushing
- saves up to 50 % water for each flushing
- increases capacity of sewage collecting tanks
- saves costs for waste water treatment
- saves nutrients for agricultural use
- discharges nutrients from wastewater

The Gustavsberg Separation Toilet



Toilet bowl with inbuilt urine separation

Urine, as a kidney product, and provided that it is from a healthy person, is absolutely aseptic. It is rich in plant nutrients like nitrogen and phosphorus and it is able to replace a large part of energy consuming artificial manure in agriculture.

1. Function

The Gustavsberg Separation Toilet divides the urine- from the solid waste flush by an ergonomically adapted adjustment of the drains in the toilet bowl. It is possible to separate the solid matter of the faecal sewage and add it to a composting system by the additional use of an Aquatron-Separator (q.v. TerraNova Composting Toilet System).

Using the experience that many people use toilet paper after urinating, the Gustavsberg Separation Toilet flushes both sewers each time. The flushing volume for urine is 2 litres, for solid waste 4 litres. 10% of each flushing is used to empty the urine siphon. This way sediments of urine scale and a blockage of the sewage pipes can be avoided.

2. Range of applications

The Gustavsberg Separation Toilet is suitable for one family and multi storey houses, housing estates, office and administrative buildings as well as all other buildings with water supply and sewage disposal combined with a second waste water system connected to a urine collecting tank. Regular removal and a possibility for permanent utilisation by an adjacent farming should be guaranteed.

3. Building conditions

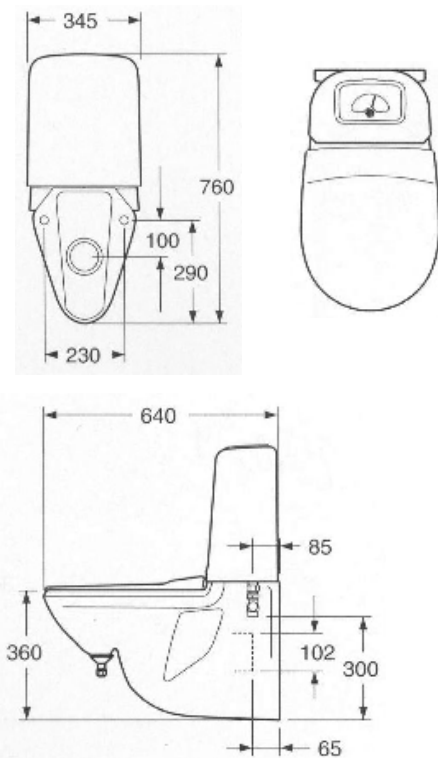
Among the necessary installation for a flush toilet, a second waste water system leading to a collecting tank has to be scheduled. The tank has to be easily accessible by suction vehicles.

4. Plumbing

The Gustavsberg Separation Toilet can be delivered as a wall-hung toilet with a flush cistern or with a mounted cistern. The urine carrying pipe has to be linked up with a sewage pipe (40 mm diameter).

5. Maintenance

The separating effect is only given, if the toilet is used while sitting. Apart from that, the toilet can be used as any other flush toilet.



Installation measures

BERGER BIOTECHNIK® GmbH

Bogenstraße 17
D - 20144 Hamburg
Fon: +49 (0) 40 - 439 78 75
Fax: +49 (0) 40 - 43 78 48

eMail: info@berger-biotechnik.de
Internet: www.berger-biotechnik.de